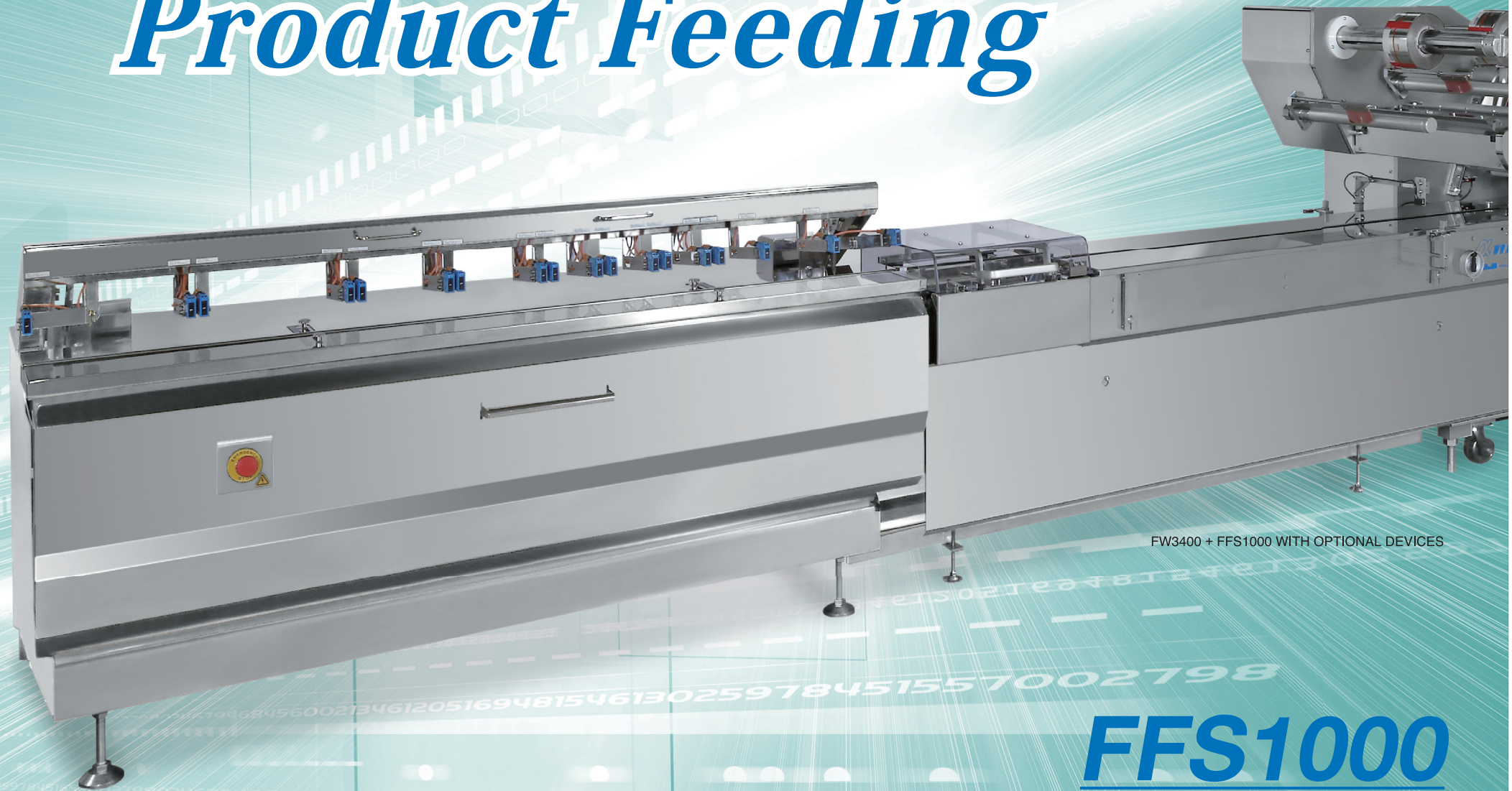




<https://www.fuji-machinery.com>

# *Accurate and Precision Product Feeding*



FW3400 + FFS1000 WITH OPTIONAL DEVICES

## **FFS1000**

# Accurate and Precision Product Feeding

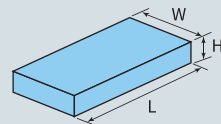
## FFS1000

### FEATURES

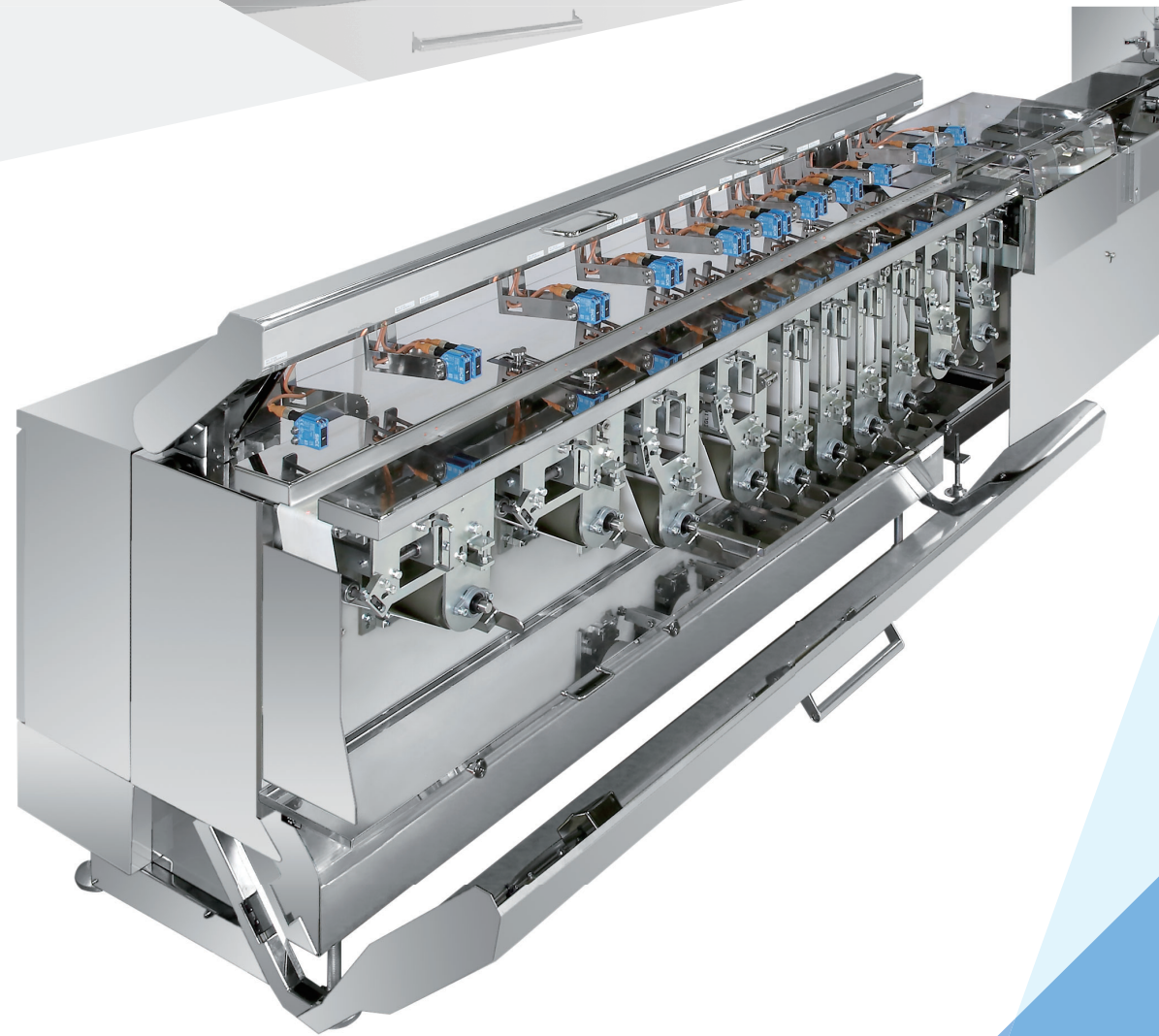
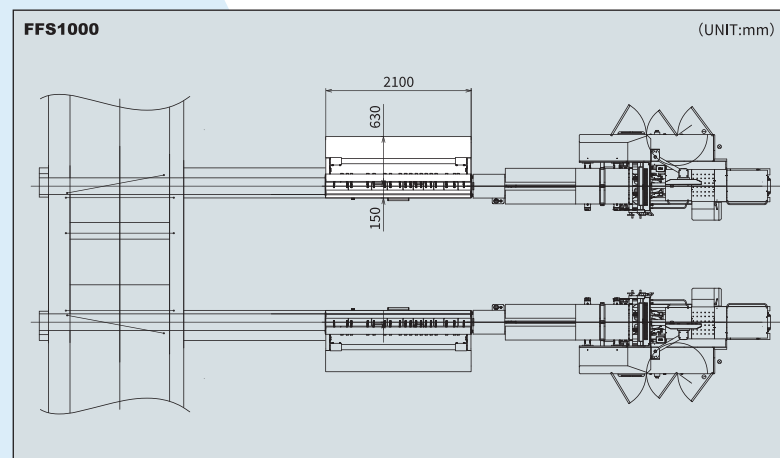
- High-speed solution for your batch and continuous process.
- Optimized product feeding accuracy with controlling multiple belts by product input rates.
- Sanitary design: Improvements to multiple belts and open construction design which is easy for maintenance.
- Full synchronized integration: Best fit for high-speed wrapping machine.

Product dimensions    Length 30~300mm  
                                  Width 20~200mm  
                                  Height 10~ 50mm

Speed                      Up to 1,000 pcs/min.



### REFERENCE FEEDING PROCESS



Nishinokawa 91, Okimura, Kita-Nagoya, Aichi, 481-0043, JAPAN  
TEL 0568-20-9307 FAX 0568-20-9331  
URL <https://www.fuji-machinery.com>  
E-mail: [fuji@fuji-machinery.com](mailto:fuji@fuji-machinery.com)