

CXII

TWO



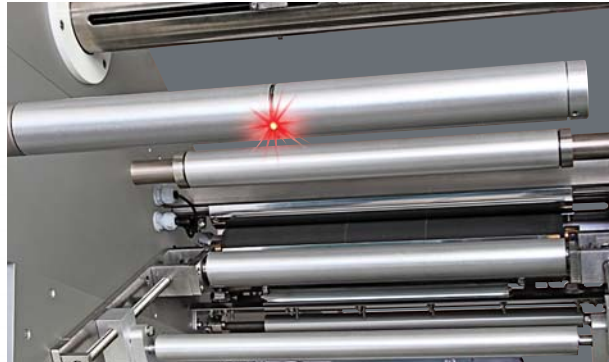
FW3400 CXII • FW3410 CXII

Features



▶ ENERGY SAVING - INDUCTION HEATING

Energy saving technology, maintenance-free design, faster temperature control and accuracy.



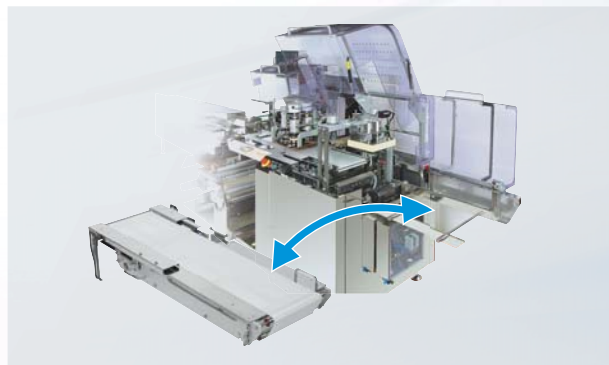
▶ NON - CONTACT SENSOR

New type of sensor to detect finish of film rolls.



▶ UNIVERSAL DESIGN INTERFACE

Operator interface with the machine is simple and straightforward. This model is designed for concept of “anyone will find easy to use”.



▶ EASY MAINTENANCE

Easy removable discharge conveyor saves your maintenance time.

Specifications

Machine type	FW3400 CXII	FW3410 CXII
Capacity	Up to 300 packs/min	Up to 300 packs/min
Cut length	Up to 350mm	Up to 450mm
	(Up to 3,999 mm according to the spec.)	
Product size to be wrapped	Width: Up to 140mm	Width:Up to 200mm
	Height:Up to 60mm	Height:Up to 100mm
Wrapping film	Width: Up to 430mm	Width: Up to 600mm
	Outside diameter: Up to 300mm	

*Specifications may vary according to application, and the right is reserved to make changes without notice.

Dimensions

