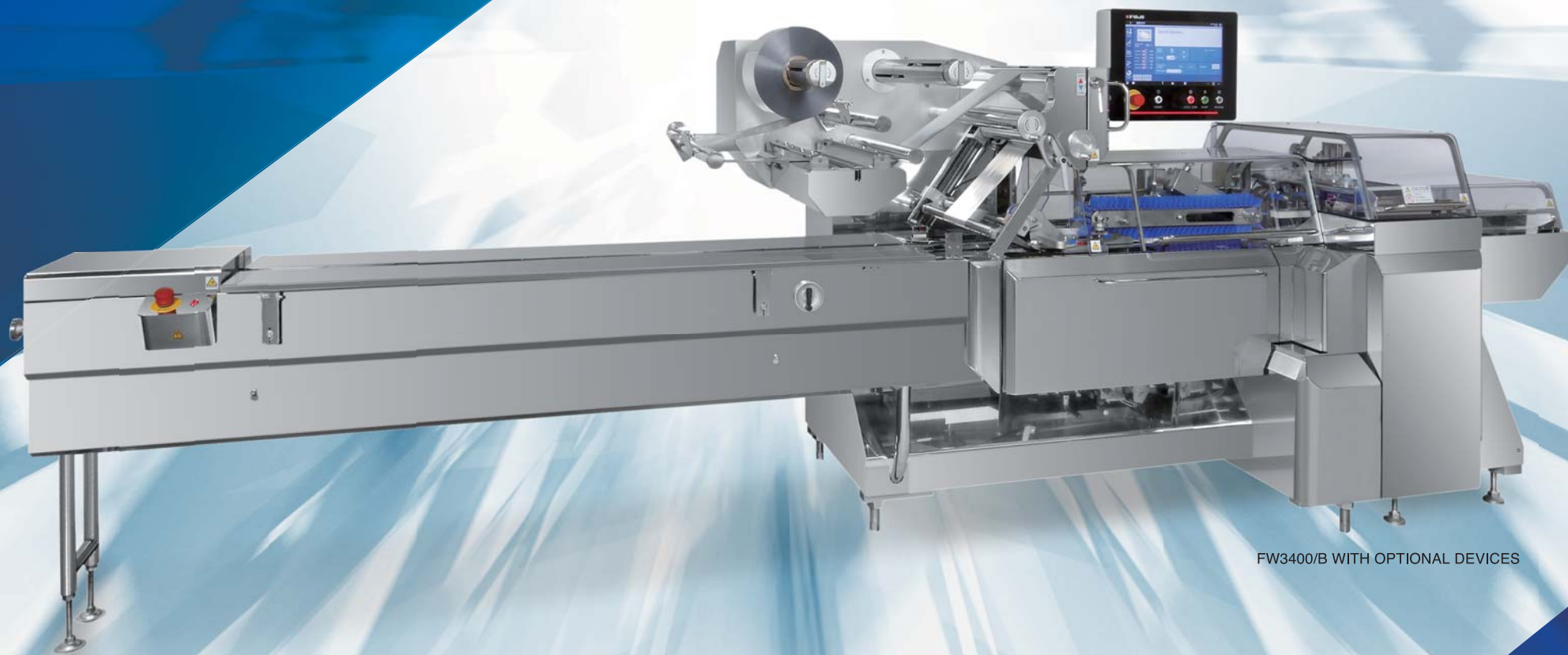




***α*** **EIGHT** **8**  
*wrapper*  
*GET IN TOUCH WITH RELIABILITY*



FW3400/B WITH OPTIONAL DEVICES

# ***HIGH-SPEED BOXMOTION***

*on FW3400/B*

<http://www.fuji-machinery.com>

# HIGH-SPEED BOXMOTION



on FW3400 / B

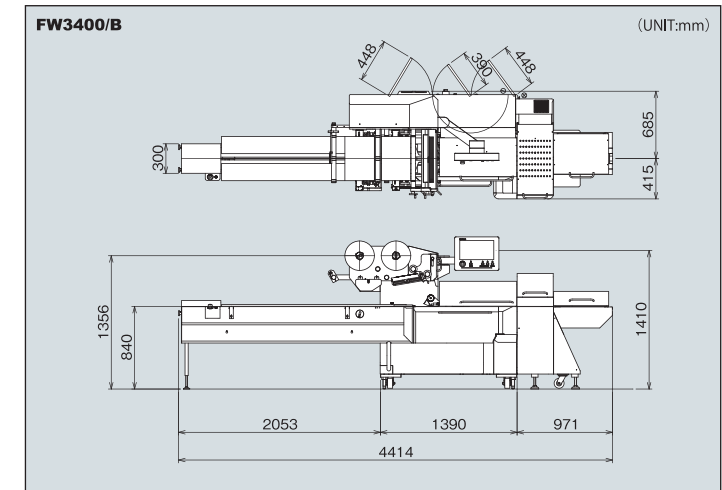
## FEATURES

- High speed: Specific servo motor with high-efficiency reduction gear.
- Tight wrapping: "Boxmotion End Sealer" unit to secure long dwell sealing.
- Less vibration design: Wide bottom frame, counter weight integrated shaft mechanism provides high speed with low vibration.
- Servo direct drive: Servos are all shaft mounted gear heads and eliminate maintenance from timing belts.

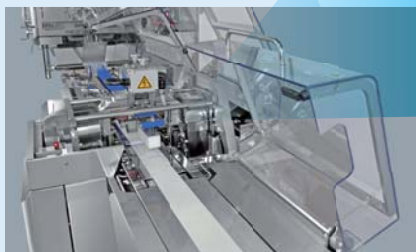
## STANDARD SPECIFICATIONS

Machine Model	FW3400/B
Speed	Up to 450 packs/min.
Cut off length	Up to 150mm
Product size	Width: Up to 80mm
	Height: Up to 40mm
*Sizes and speed shown are standard. With modification, other sizes and speed are possible.	

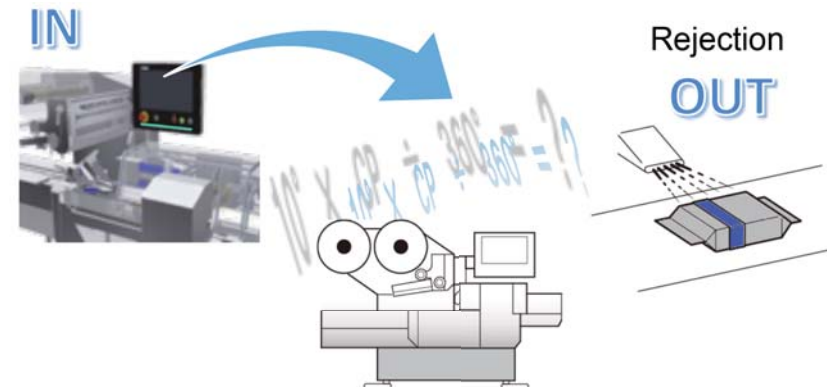
## DIMENSIONAL DRAWING



HIGH-SPEED BOXMOTION



## AUTO CALCULATION



Easy to use for anybody  $\alpha$  wrapper 8 realized "easiness" by adoption of auto-calculation function and by improvement of the operation panel. Once the user enters the basic information such as product size and scale value,  $\alpha$  wrapper 8 automatically calculates rejections. No complicated settings or adjustments are necessary.



380, 4-Chome, Nakaotai, Nishi-ku, Nagoya 451-8568, Japan  
 Phone 052-509-1510 FAX 052-501-9947  
 URL <http://www.fuji-machinery.com>  
 E-mail: [fuji@fuji-machinery.com](mailto:fuji@fuji-machinery.com)