



α **EIGHT** **8**
wrapper
GET IN TOUCH WITH RELIABILITY



FW3710BS/B WITH OPTIONAL DEVICES

FW3710BS/B

<http://www.fuji-machinery.com>

FW3710BS/B



FEATURES

- Bottom film feed for easy, positive transfer products from infeed conveyor to film.
- Hygienic cantilevered open construction under main frame allows products crumbs to fall through the wrapper.

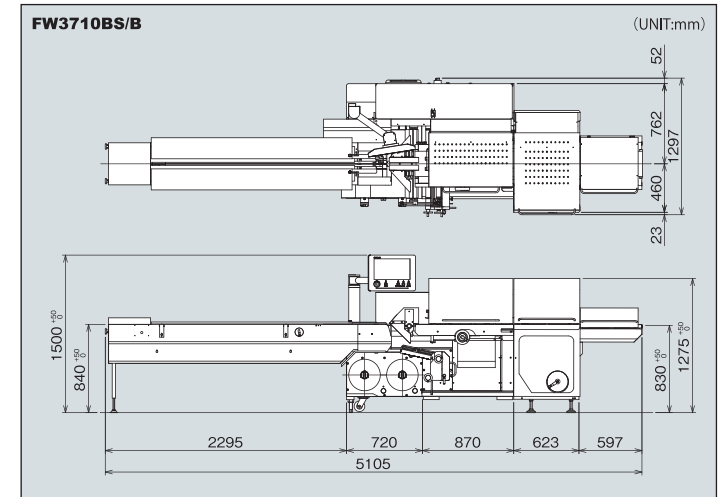
Best fit for

- With wide variety of infeed options, you can wrap your product more gently. (Wide top-plate infeed & Attachless infeed)
- Random cut function, carefully and saves packaging material by automatic adjustment of packaging length according to the product size. (Optional device)

STANDARD SPECIFICATIONS

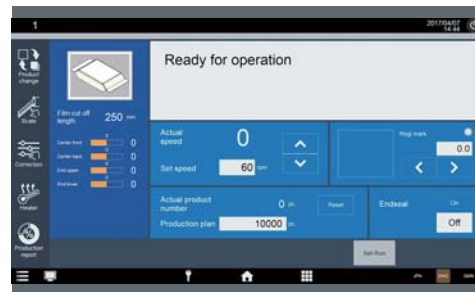
Machine Model	FW3710BS/B
Speed	Up to 150 packs/min.
Cut off length	Up to 430mm
Product size	Width: Up to 200mm
	Height: Up to 100mm
Wrapping film	Film width: Up to 650mm
*Sizes and speed shown are standard. With modification, other sizes and speed are possible.	

DIMENSIONAL DRAWING

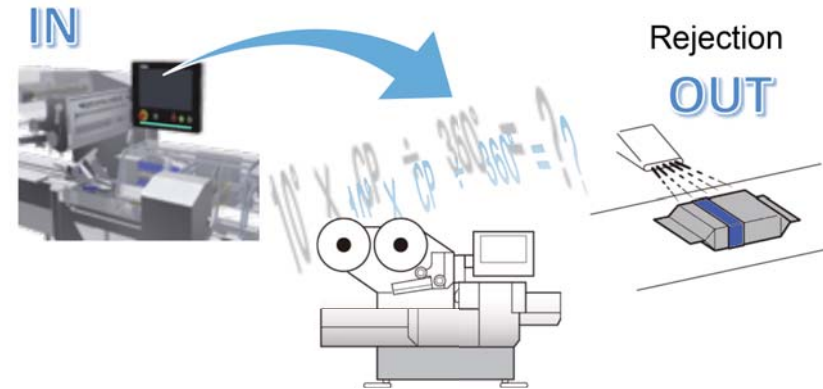


WIDE TOUCH PANEL / UNIVERSAL DESIGN

FUJI adopted a wide touch panel for the main operation panel. It provides a full range of information setting ability on an easy-to-see while securing the scalability. The operation panel adopted a universal design, using color patterns that are visible to elderly or color handicapped people. One of the efforts to reduce possible causes of human errors. Operation Status bar has been placed in an easy-to-see location. Machine status can be checked at a glance.



AUTO CALCULATION



Easy to use for anybody alpha wrapper 8 realized "easiness" by adoption of auto-calculation function and by improvement of the operation panel. Once the user enters the basic information such as product size and scale value, alpha wrapper 8 automatically calculates rejections. No complicated settings or adjustments are necessary.



380, 4-Chome, Nakaotai, Nishi-ku, Nagoya 451-8568, Japan
 Phone 052-509-1510 FAX 052-501-9947
 URL [http : //www.fuji-machinery.com](http://www.fuji-machinery.com)
 E-mail : fuji@fuji-machinery.com