

FW3400B/FW3410B / Stainless Steel Cover /
FW3700B/FW3710B / Stainless Steel Construction /

MODEL FOR HERMETIC SEAL WRAPPING

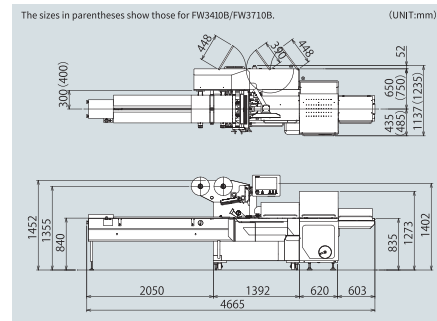


STANDARD SPECIFICATIONS

Speed	Up to 150 packs/min.
Cut off length	Up to 430mm
Product size	Width: Up to 200mm
	Height: Up to 100mm
Wrapping film	Film width: Up to 650mm

*Sizes and speed shown are standard.
 With modification, other sizes and speed are possible.

DIMENSIONAL DRAWING FOR FW3400B/FW3410B



Alpha Wrapper 8 : BOX MOTION SEALER

α wrapper 8
 EIGHT 8
 HORIZONTAL FORM-FILL-SEAL-MACHINE

FUJI
 FUJI MACHINERY CO.,LTD.

Nishinokawa 91, Okimura, Kita-Nagoya, Aichi, 481-0043, JAPAN
 TEL 0568-20-9307 FAX 0568-20-9331
 URL <https://www.fuji-machinery.com>
 E-mail: fuji@fuji-machinery.com

PRINTED IN JAPAN JAN. 2023 © AT×1

FUJI



α wrapper 8
 EIGHT 8

Get in touch with reliability

FW3400 / FW3410 / Stainless Steel Cover / FW3700 / FW3710 / Stainless Steel Construction /

MODEL FOR HIGH SPEED WRAPPING

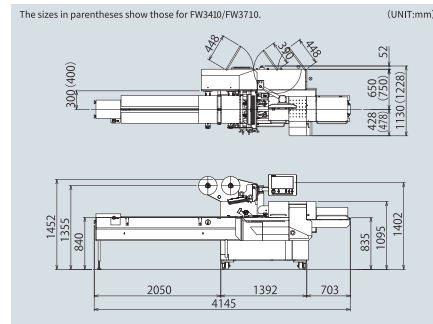


STANDARD SPECIFICATIONS

Speed	Up to 800 packs/min.
Cut off length	Up to 450mm
Product size	Width: Up to 200mm
	Height: Up to 100mm
Wrapping film	Film width: Up to 650mm

*Sizes and speed shown are standard.
With modification, other sizes and speed are possible.

DIMENSIONAL DRAWING FOR FW3400/FW3410

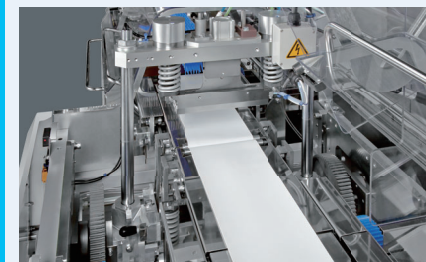


EVOLUTION OF PACKAGING MACHINES

FEATURES

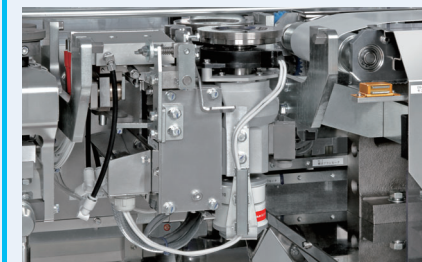
SEALING QUALITY

Mechanical simplicity with advanced, reinforcement parts design makes proven seal quality. Wide range of sealing options available.



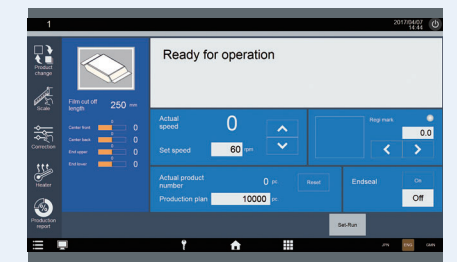
ENERGY SAVING

α wrapper 8 adopts induction heating in center seals which provides heat stability with less energy usage. Heating only where its is needed.

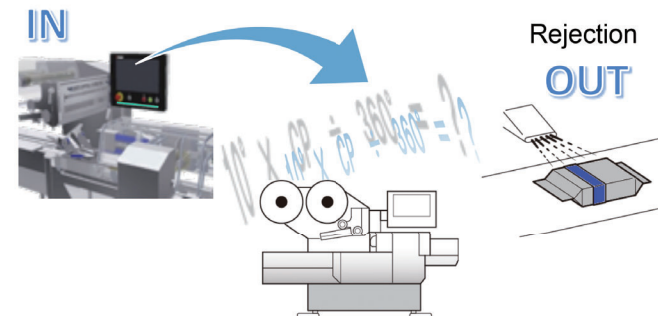


WIDE TOUCH PANEL / UNIVERSAL DESIGN

FUJI adopted a wide touch panel for the main operation panel. It provides a full range of information setting ability on an easy-to-see while securing the scalability. The operation panel adopted a universal design, using color patterns that are visible to elderly or color handicapped people. One of the efforts to reduce possible causes of human errors. Operation Status bar has been placed in an easy-to-see location. Machine status can be checked at a glance.



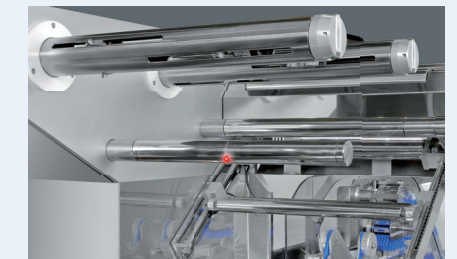
AUTO CALCULATION



Easy to use for anybody α wrapper 8 realized "easiness" by adoption of auto-calculation function and by improvement of the operation panel. Once the user enters the basic information such as product size and scale value, α wrapper 8 automatically calculates rejections. No complicated settings or adjustments are necessary.

EASY FILM CHANGE / REDUCED FILM ROUTE

FUJI adopted an open-close film feed roller frame. In this frame, the compression rubber roller can be opened and allows an easier film change. Now changing films and cleaning the sensors can be done so easily and quickly. Non contact optic sensor replaces limit switch for detection of film run out. And FUJI reduced the film route distance and could save unused film waste by 500mm during set-run.



α 8